

TECHNICAL SPECIFICATION

All-purpose limit switch – series TZ-8xxx

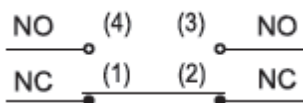
Description

The all-purpose limit switches are devices used for setting gearing limits. They are mounted on transport lines, conveyors and other linear progressive motion machines. They have small dimensions and a vibration-resistant metal shell with plastic lid, resistant to oil and water.

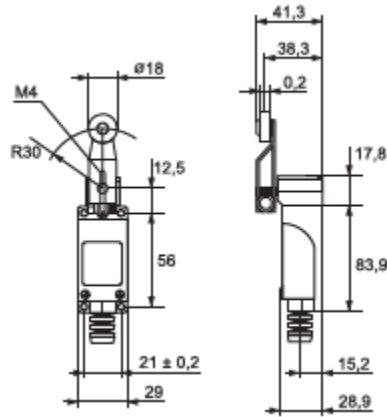
Technical data

- Dielectric strength: 1000V AC
- Insulating resistance: 100MΩ
- Contact Resistance: 25mΩ
- Electrical endurance (number of cycles): 500 000 with active load
- Mechanical endurance (number of cycles): 5 000 000
- Gearing speed: 5mm/s to 0.5 m/s
- Rated voltage: 230V
- IP code: IP40
- Cable input: cable gland PG11
- Section of power supply conductor: up to 2mm
- Fastening strength of terminals: 6-8kgf/cm

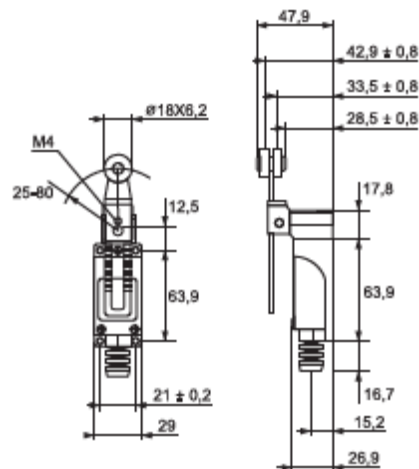
Type of the contact system



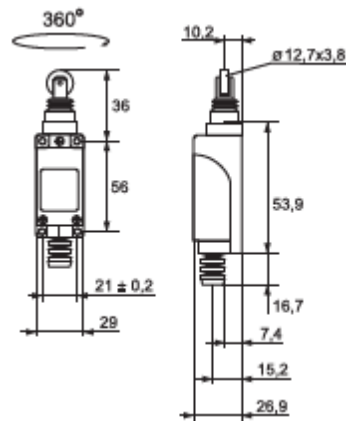
Variants and dimension



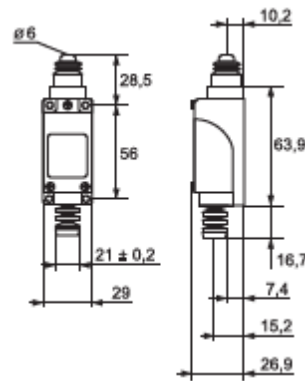
Type	Type of the head	Power of starting (g)	Power of release (g)	Switching position	General movement	Rated current	Packing / Box (pcs)	Catalogue number
TZ-8140	Lever with metal roll	750	100	20°	50°	5A-active 3A-inductive	10 / 100	468104



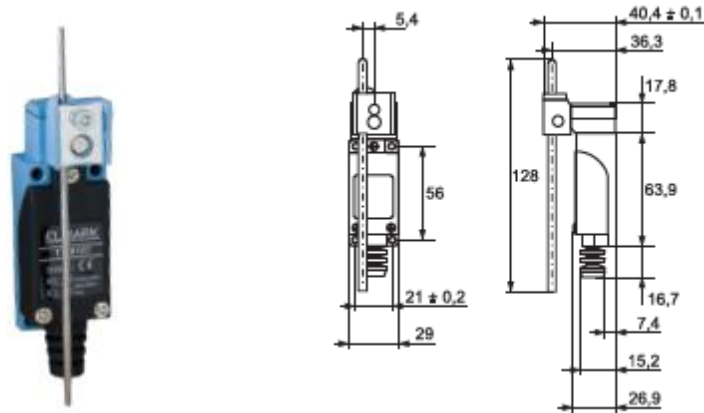
Type	Type of the head	Power of starting (g)	Power of release (g)	Switching position	General movement	Rated current	Packing / Box (pcs)	Catalogue number
TZ-8108	Adjustable lever with metal roll	750	100	20°	50°	5A-active 3A-inductive	10 / 100	468108



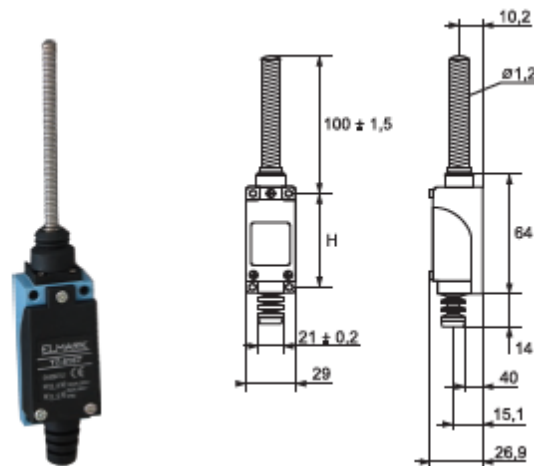
Type	Type of the head	Power of starting (g)	Power of release (g)	Switching position	General movement	Rated current	Packing / Box (pcs)	Catalogue number
8112	Cylinder with metal roll	900	150	1.5mm	4.0mm	5A-active 3A-inductive	10 / 100	468112



Type	Type of the head	Power of starting (g)	Power of release (g)	Switching position	General movement	Rated current	Packing / Box (pcs)	Catalogue number
8111	Metal cylinder	900	150	1.5mm	4.0mm	5A-active 3A-inductive	10 / 100	468111



Type	Type of the head	Power of starting (g)	Power of release (g)	Switching position	General movement	Rated current	Packing / Box (pcs)	Catalogue number
8107	Metal rod	750	100	20°	50°	5A-active 3A-inductive	10 / 100	468107



Type	Type of the head	Power of starting (g)	Power of release (g)	Switching position	General movement	Rated current	Packing / Box (pcs)	Catalogue number
TZ-8167	Spring lever	150	-	30mm	-	5A-active 3A-inductive	10/100	468167

Standards

EN 60947-1

EN 60947-5-1

